

## Bike Mount

### Installation Instructions

1. Hold the Unlock Pedal on the original bracket and pull out the HU60 as illustrated in diagram (1) to dismount it as in diagram (2).
2. Hold the Unlock Pedal on the bike mount and install the HU60 as illustrated in diagram (3) until a click sound is heard.
3. Loosen the Screw ① with the hex key and tighten it after securing the bike mount on the handlebar.

**Note:** The mount pad of the bike mount is removable. It is compatible with the handlebar diameter of 31.8mm with the mount pad and 35mm without it.

### Dismount Instructions

Hold the Unlock Pedal on the bike mount and pull out the HU60 as in reverse in diagram (3) to dismount it.

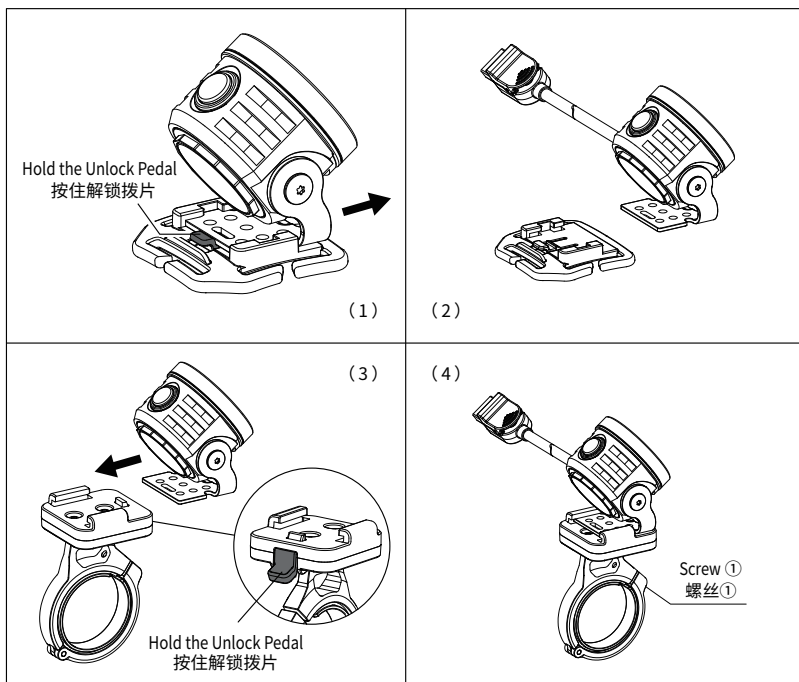
## 自行车夹

### 自行车夹安装方法：

1. 按住 HUGO 头灯带支架上的解锁拨片，然后按照图 (1) 箭头所示方向拉出 HU60，即可卸下头灯带支架，如图 (2)。
2. 按住自行车夹上的解锁拨片，然后按图 (3) 箭头所示方向装入 HU60，直至听到“咔”的一声。
3. 使用六角匙拧开螺丝①后，在车把合适位置装上自行车夹并调整好角度，再拧上螺丝①即可。  
(注：自行车夹上的软胶垫可拆卸。装上软胶垫时适合 31.8mm 车把，拆卸软胶垫后适合 35mm 车把。)

### 自行车夹拆卸方法：

按住自行车夹上的解锁拨片，然后按图 (3) 箭头所示反方向拉出 HU60 即可。



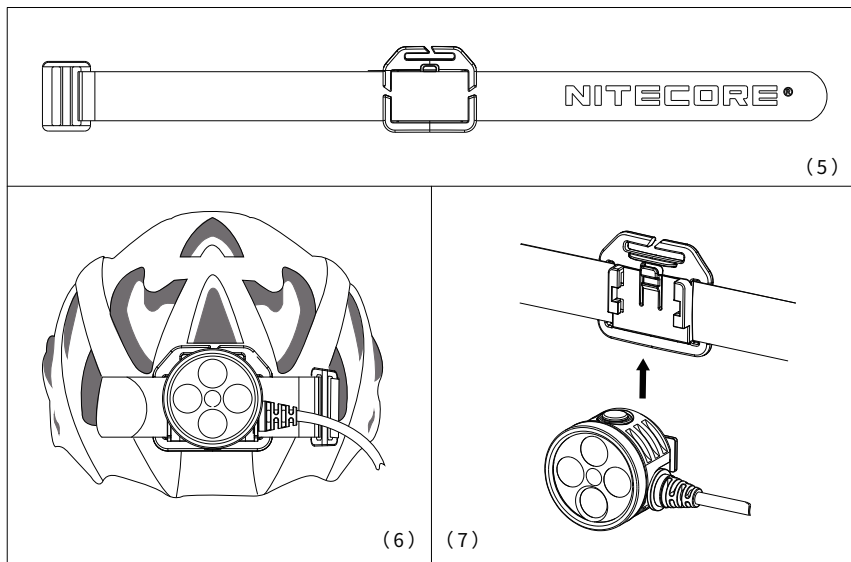
## Helmet Strap

1. Take off the original headband of the HU60 and install the helmet strap as illustrated in diagram (5).
2. Secure the HU60 on the helmet with the hook-and-loop fastener of the helmet strap as illustrated in diagram (6).

**Note:** The HU60 is available with quick dismount as illustrated in diagram (1). For reinstallation, please insert it as illustrated in diagram (7).

## 自行车头盔绑带

1. 卸下 HU60 原装头灯带，并把头盔绑带装在 HU60 头灯带支架上，如图（5）。
  2. 捆绑在自行车头盔上并用魔术贴固定即可，如图（6）。
- 注：**可根据图（1）所示方法快速卸下 HU60，再次装上时，请按照图（7）所示方向装入。



## SYSMAX Innovations Co., Ltd.

TEL: +86-20-83862000

FAX: +86-20-83882723

E-mail: info@nitecore.com

Web: www.nitecore.com

Address: Rm 2601-06 Central Tower, No.5 Xiancun Road,  
Tianhe District, Guangzhou, 510623, Guangdong, China

 Please find us on facebook : NITECORE Flashlight  
Thanks for purchasing NITECORE!