

产品特性

- 采用CREE XP-L HI V3 LED
- 最高1000流明超强亮度输出
- 采用晶亮电镀技术结合PDOT数字精确优化技术制造的最优化光学系统
- 最大光强25,700坎德拉
- 最远射程320米
- 长达520小时的最长续航时间
- 为战术应用设计的侧按调档按钮一键控制7种亮度和功能,方便快捷
- 侧按调档按钮内藏电量指示灯,可以提示电池剩余电量
- 内置高级温控模块,根据工作温度和外界温度自动调节亮度输出以达到最佳工作状态
- 电量指示灯可显示电池电压(精确到0.1V)
- 智慧型档位记忆功能(SOS和信标功能除外)
- 高效率恒流电路,亮度恒定
- 配备不锈钢镀钛抱夹
- 双面镀膜防刮光学镜片
- 航太级铝合金制造
- 耐磨的军规三级硬化表面处理
- 符合IPX8防水标准(水下2米)
- 1米防摔能力
- 尾部倒立功能

体积

长度:	140mm
头部直径:	25.4mm
尾部直径:	25.4mm
重量:	91克(不含电池)

配件

优质电筒套,抱夹,战术胶环,手绳,备用胶帽,备用防水O圈

选用电池

	尺寸规格	标称电压	是否可用
18650 锂充电电池	18650	3.7V	是(推荐使用)
一次性锂金属电池	CR123	3V	是(推荐使用)
可充电锂离子电池	RCR123	3.7V	是(可以使用)

亮度&时间

FL1 STANDARD	高亮	中亮	低亮	超亮	暴闪	SOS	信标
	1000流明	280流明	55流明	1流明	1000流明	1000流明	1000流明
	1小时	5小时 15分钟	28小时	520小时	-	-	-
	320米	150米	66米	9米	-	-	-
	25700 坎德拉	5600 坎德拉	1100 坎德拉	21 坎德拉	-	-	-
	1米(防跌落高度)						
	IPX8, 水下2米(防水等级)						

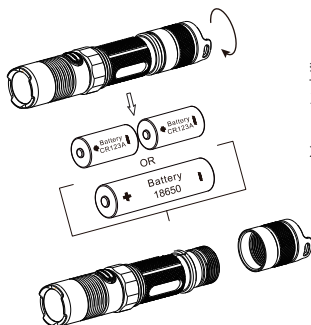
注:

以上数据按照国际手电筒测量标准ANSI/NEMA FL1所述之测量方法,使用1节18650锂电池(3.7V 3400mAh)测量所得,不同电池或使用环境可能会对以上数据产生影响。

使用电筒

装入/拆卸电池

如图所示,拧开电池盖后,装入/拆卸电池并拧紧电池盖。



警告

1. 请将电池按照正极朝灯头方向放入,反装电池电筒将不能工作。
2. 不能将光线直接照射眼睛,以免对眼睛造成伤害。

战术点亮

轻按尾部开关,电筒会开启,松手电筒熄灭。

开启/关闭

开启手电筒:按下尾部按钮开关,直到有“嗒”的一声后松手,手电筒开启。

关闭手电筒:再次按下尾部按钮开关,直到有“嗒”的一声后松手,手电筒关闭。

亮度调节

在电筒开启状态下,每按一次调档按钮,电筒亮度将按照“超亮-低亮-中亮-高亮”循环改变亮度。

使用特殊档位(暴闪/SOS功能/信标)

在电筒开启状态下,长按调档按钮超过一秒,电筒将会开启暴闪,如果需要选择更多的特殊档位,只需要长按调档按钮超过一秒即可在“SOS功能-信标-暴闪”顺序切换。如果需要退出特殊档位并恢复当前亮度,只需按一下调档按钮。

注:P12GT具有自动记忆功能,再次激活电筒将自动进入已选亮度或档位(SOS和信标功能除外)。

高级温控模块(ATR)

P12GT内置高级温控模块,实时温度保护,使筒内最高温度维持在55摄氏度以下,同时根据工作温度和外界温度自动调节亮度输出以达到最佳工作状态。

电量提示

1. 当手电筒开启,并且电池电量剩余将近一半时,位于调档按钮的蓝色电量指示灯将每2秒闪烁1次提示用户;
2. 当手电筒开启,并且电池电量将近耗尽时,位于调档按钮的蓝色电量指示灯将连续快速闪烁提示用户。
2. 在手电筒关闭的状态下,按着调档按钮并保持不放,同时按下尾部按钮开关,蓝色电量指示灯将以闪烁来表示出电池电压(精确到±0.1V)。例如,电池电压为4.2V时,指示灯将闪烁4次,停顿一秒后再闪烁2次来表示4.2V。显示电池电压完成后,电筒随即进入当前记忆的亮度和功能。

更换电池

当电池电量不足,位于调档按钮的蓝色电量指示灯将连续快速闪烁,电筒甚至会出现亮度变暗或者无法调光的情况。此时,应对电筒进行更换电池。

保养电筒

请每半年使用软布清洁电筒的螺牙,并使用硅润滑油润滑螺牙。

注意事项

请根据适用的当地法律和法规处置设备/电池。

保固

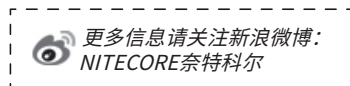
NITECORE® 产品拥有售后保固服务。在购买本产品的15天内,如果有任何质量问题均可向经销商要求免费更换。在购买本产品的60个月内享受免费保固服务。在超过60个月免费保固期后,本产品享有终身有限度保固服务,如需要更换重要部件则需收取成本费用。

本保固规则不适用于以下情况:

1. 人为破坏,拆解,改装本产品。
2. 错误操作导致产品损坏(如装反电池等)。
3. 电池漏液导致产品损坏。

如对奈特科尔产品有任何疑问,欢迎联系当地的代理商或发邮件4008869828@nitecore.cn

※本说明书的所有图片、陈述及文字信息仅供参考,请以官网www.nitecore.cn实际信息为准。广州希脉创新科技有限公司拥有对说明书内容的最终解释权和修改权。



广州希脉创新科技有限公司

咨询热线:+86-20-83862000
 销售邮箱:info@nitecore.com
 网 址: www.nitecore.cn
 地 址: 广东省广州市天河区高普路1021号5楼6355号
 邮 编: 510653



P30112GTZ

Features

- Premium CREE XP-L HI V3 LED
- Maximum output up to 1000 lumens
- 'Crystal Coating Technology' combined with 'Precision Digital Optics Technology' provide extreme reflector performance
- Boasts a peak beam intensity of 25,700cd and a throw distance up to 320 meters
- High efficiency circuit board provides up to 520 hours runtime on low level
- Side switch interface provides one-handed operation and easy access to all functions
- Side switch features an indicator light which displays remaining battery power
- Features advanced temperature regulation (ATR) technology
- Power indicator's secondary function displays battery voltage (accurate to 0.1V)
- Intelligent memory function stores preferred brightness setting
- High-efficiency regulation circuit provides unwavering output
- Toughened ultra-clear mineral glass with anti-reflective coating
- Constructed from aero grade aluminium alloy with HAIII military grade hard-anodized finish
- Waterproof in accordance with IPX8 (two meters submersible)
- Impact resistant to 1 meter
- Stainless steel titanium-plated two-way clip included
- Tail stand capability

Dimensions

Length: 5.51" (140mm)
 Head Diameter: 1"(25.4mm)
 Tail Diameter: 1" (25.4mm)
 Weight: 3.21oz (91g)(without battery)

Accessories

Quality holster, clip, tactical ring, lanyard, spare tail cap cover, spare O-ring

Battery Options

	TYPE	Nominal voltage	Compatible
Primary Lithium battery	CR123	3V	Y (Recommended)
18650 Rechargeable Li-ion battery	18650	3.7V	Y (Recommended)
Rechargeable Li-ion battery	RCR123	3.7V	Y

Brightness & Runtime

FL1 STANDARD	HIGH	MID	LOW	LOWER	STROBE	SOS	LOCATION
	1000 LUMENS	280 LUMENS	55 LUMENS	1 LUMEN	1000 LUMENS	1000 LUMENS	1000 LUMENS
	1h	5h15min	28h	520h	—	—	—
	320m	150m	66m	9m	—	—	—
	25700cd	5600cd	1100cd	21cd	—	—	—
	1m (Impact Resistant)						
	IPX8, 2m (Waterproof AND Submersible)						

NOTICE

The above data has been measured in accordance with the international flashlight testing standards ANSI/NEMA FL1 using one x 3.7V 3400mAh 18650 battery under laboratory conditions. The data may vary slightly during real-world use due to battery type, individual usage habits and environmental factors.

Operating Instructions

Battery Installation / Removal

As illustrated, after unscrewing the battery cap, insert / remove the battery(s) and screw to tighten the tail cap.

WARNING

Ensure when turning the P12GT on, the beam is directed away from the eyes of people or animals.

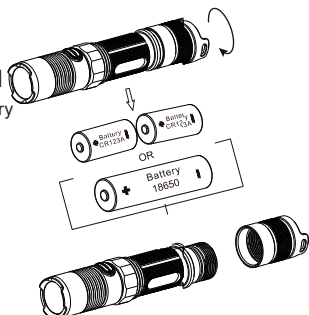
Momentary Illumination

Momentary illumination mode is accessed by pressing the tail switch partway down and holding with the flashlight in standby. Release the switch to turn the light off.

Switching ON/OFF

To switch ON: Press the tailcap switch until a "click" is heard.

To switch OFF: Press the tailcap switch a second time until a "click" is heard.



General Operations

With the light turned on, press the side switch to cycle through the following brightness levels: ultra-low, low, medium and high. Once a desired setting is displayed, it can be saved by turning the light off at the tail switch.

Special Modes

With the light turned on, press and hold the side switch to activate Strobe mode. Press and hold once again to access Location Beacon mode and repeat once more for SOS mode. To exit any one of these modes simply press the side switch to return to your previously used brightness level.

Note: Strobe mode is the default special mode and is the only special mode that has a memory function. If the light is turned off in strobe mode, strobe will resume when the light is turned on. SOS and Location Beacon modes have no memory function.

ATR Technology

Advanced temperature regulation (ATR) technology allows P12GT to dynamically adjust output performance based on its internal temperature. This prevents damage from overheating and prolongs its working life.

Power Tips

1. With the light switched on, the power indicator will blink once every two seconds when power levels are below 50%.
2. With the light switched on, the power indicator will blink rapidly when power levels are close to depletion.
3. With the light turned off, press and hold the side switch while simultaneously pressing the tail switch to display the battery voltage (accurate to ±0.1V) with serial of blinks. For example, when the battery voltage is at 4.2V, the power indicator will blink 4 times in quick succession, followed by a one second pause and two more blinks.

Changing Batteries

When the power indicator blinks rapidly, the batteries need to be replaced. Alternatively if the light becomes dim or unresponsive to adjustment, this also indicates batteries need to be replaced.

Maintenance

Every 6 months, threads should be wiped with a clean cloth followed by a thin coating of silicon-based lubricant.

Warnings

Dispose of the device/batteries in accordance with applicable local laws and regulations.

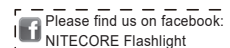
Warranty Details

Our authorized dealers and distributors are responsible for warranty service. Should any problem covered under warranty occurs, customers can contact their dealers or distributors in regards to their warranty claims, as long as the product was purchased from an authorized dealer or distributor. NITECORE's Warranty is provided only for products purchased from an authorized source. This applies to all NITECORE products.

Any DOA / defective product can be exchanged for a replacement through a local distributor/dealer within the 15 days of purchase. After 15 days, all defective / malfunctioning NITECORE® products can be repaired free of charge for a period of 60 months (5 years) from the date of purchase. Beyond 60 months (5 years), a limited warranty applies, covering the cost of labor and maintenance, but not the cost of accessories or replacement parts.

The warranty is nullified if the product(s) is/are broken down, reconstructed and/or modified by unauthorized parties, or damaged by batteries leakage. For the latest information on NITECORE® products and services, please contact a local NITECORE® distributor or send an email to service@nitecore.com.

※All images, text and statements specified herein this user manual are for reference purpose only. Should any discrepancy occurs between this manual and information specified on www.nitecore.com. SYSMAX Innovations Co., Ltd. reserves the rights to interpret and amend the content of this document at any time without prior notice.



SYSMAX Innovations Co., Ltd.

TEL: +86-20-83862000
 FAX: +86-20-83882723
 E-mail: info@nitecore.com
 Web: www.nitecore.com
 Address: Unit 6355, 5/F, No. 1021 Gaopu Road, Tianhe District, Guangzhou, 510653, Guangdong, China

