

## 产品特性

- 采用CREE XP-L HI V3 LED
- 最高1000流明亮度输出
- 最远射程达452米
- 采用高效率恒流电路,最长36小时续航时间
- 内置安全检测功能的智能充电电路,充电方便,快速,安全
- 三防设计的充电保护盖有效防水、阻挡沙尘和防止外力撞击损坏充电接口
- Micro-USB直充
- 具备可快速切换的两种使用模式,灵活适用于各种使用环境
- 自定义模式可自行设定各种亮度和功能
- 智慧型档位记忆功能
- 防滚动设计
- 电池反接保护功能
- 宽电压驱动电路,兼容可充及不可充电锂电池
- 配备不锈钢锁扣
- 为远射优化设计的精密金属大反光杯,强远射能力
- 头部不锈钢保护环,保护电筒核心原件不受损坏
- 双面镀膜防刮光学镜片
- 航太级铝合金制造
- 军规二级硬质阳极氧化抗磨表面处理
- 符合IPX8级防水标准(水下2米内)

## 体积

长度: 160mm  
 头部直径: 40mm  
 尾部直径: 25.4mm  
 重量: 143克(不含电池)

## 配件

Nitecore 18650锂电池(NL1834 3400mAh),  
 抱夹,战术胶环,手绳,优质USB充电线,优质电筒套,  
 备用胶帽,备用防水O圈

## 选用电池

	尺寸规格	标称电压	是否可用
18650锂电池	18650	3.7V	是(可以使用并可进行充电)
一次性锂金属电池*	CR123	3V	是(可以使用但不能进行充电)
可充电锂离子电池*	RCR123	3.7V	是(可以使用但不能进行充电)

\*注: 当对电筒进行充电时, 仅能对使用18650锂电池进行充电, 不能对其他电池如CR123或RCR123锂电池进行充电。

## 亮度&时间

FL1 STANDARD	超高亮	高亮	中亮	低亮	暴闪	SOS
	1000流明	300流明	110流明	50流明	1000流明	1000流明
	1小时	4小时	10小时 45分钟	36小时	—	—
	452米	230米	141米	87米	—	—
	51100坎德拉	13300坎德拉	5000坎德拉	1900坎德拉	—	—
	1米(防跌落高度)					
	IPX8, 水下2米(防水等级)					

注:  
 以上数据按照国际手电筒测量标准 ANSI/NEMA FL1 所述之测量方法, 使用 1 节 18650 锂电池 (3.7V 3400mAh) 测量所得, 不同电池或使用环境可能会对以上数据产生影响。

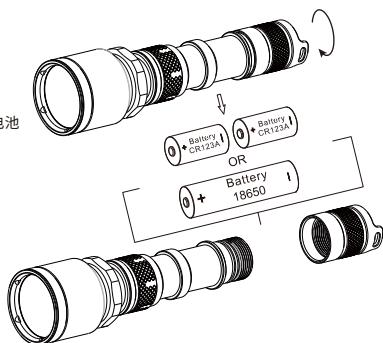
## 使用电筒

### 装入/拆卸电池

如图所示, 拧开电池盖后, 装入/拆卸电池并拧紧电池盖。

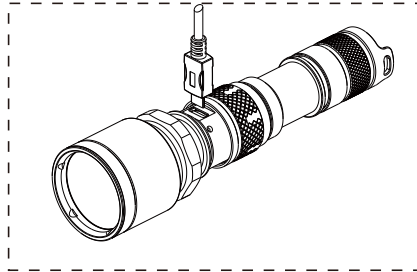
### 警告

请将电池按照正极朝灯头方向放入, 反装电池电筒将不能工作。



## 充电

1. 本产品自带充电功能。如图所示, 将筒身上的金属充电保护盖逆时针拧下, 另一端插上USB充电设备(电脑或车充等), 并打开位于电筒尾部的开关即可进行充电。当对1节18650锂电池进行充电时, 充电时间约为6小时。
2. 当MH25GT检测到充电不正常时(未开启电筒, 电池损坏, 错误电池), MH25GT将自动停止充电, 并快速闪烁位于充电孔旁的红色电量指示灯提示用户; 当MH25GT处于正常充电状态时, 红色电量指示灯将每0.5秒闪烁1次提示用户; 当充满电时, 红色电量指示灯将长亮提示用户。



注: 充电时必须打开位于电筒尾部的开关方能进行充电。

## 开启/关闭

开启电筒: 按下按钮开关, 直到有“嗒”的一声后松手, 电筒开启。  
 关闭电筒: 再次按下按钮开关, 直到有“嗒”的一声后松手, 电筒关闭。

## 模式切换

Nitecore MH25GT拥有超高亮和自定义两种模式, 通过扭紧/扭松灯头, 电筒可以快速地在这两种模式内切换, 灵活适用于各种使用环境。  
 当扭紧灯头时, 手电筒为超高亮模式; 当扭松灯头时, 电筒进入自定义模式。在自定义模式下, 用户可以自行设定亮度和功能。

## 超高亮模式

扭紧电筒灯头时, MH25GT将进入超高亮模式。此时电筒将输出最高亮度。在此模式下, MH25GT可以实现点亮功能——轻按尾部开关, 电筒会开启, 松手电筒立即熄灭。使用点亮功能, 可以实现发送闪光信号或者进行战术应用等。

注: 在超高亮状态下, 电筒会在开启超亮档3分钟后自动降低亮度输出以防止过热, 并有效地保障电池的使用寿命。

## 自定义模式

稍微扭松电筒灯头, MH25GT将进入自定义模式。自定义模式中, 用户可通过多次快速关-开手电筒进行选择亮度及功能。在手电筒开启的状态下, 在一秒内关闭并重新开启手电筒, 手电筒将按照“高亮-中亮-低亮-SOS求救信号-暴闪”进行循环变化。MH25GT将能自动记忆已选定的档位, 下一次开启手电筒时会自动进入已选定的档位。

使用小提示: 把MH25GT变成您最适合您自己的Multitask Hybrid手电筒

您可以简单地吧MH25GT视为一款具有2档亮度(功能), 并可通过扭紧/扭松灯头进行快速转换的手电筒。您可以把您经常使用的亮度或者功能设置并保存在自定义模式里, 让MH25GT变成一把最适合您自己使用习惯的手电筒。例如, 如果您是于家用, 您可以把自定义档设置成低亮, 当您需要的亮度时, 只需要轻轻扭动灯头, 它就会马上转成低亮输出。如果您是一位执法人员, 您可以把自定义档位设置成暴闪, 这样当您以后需要使用暴闪时, 只需要轻轻扭松灯头, MH25GT将马上开启暴闪。

## 更换电池

当电池电量不足, 电筒会出现亮度变暗或者无法调光的情况。此时, 应更换电池或进行充电。

## 保养电筒

请每半年使用软布清洁电筒的螺母, 并使用硅润滑油润滑螺母。

## 保固

NITECORE®产品拥有售后保固服务。在购买本产品的15天内, 如果有任何质量问题均可向经销商要求免费更换。在购买本产品的5年内享受免费保固服务。在超过5年免费保固期后, 本产品享有终身有限保固服务, 如需要更换重要部件则需收取成本费用。

本保固规则不适用于以下情况:

1. 人为破坏, 拆解, 改装本产品。
2. 错误操作导致产品损坏(如装反电池等)。
3. 电池漏液导致产品损坏。

如对奈特科尔产品有任何疑问, 欢迎联系当地的代理商或发邮件到4008869828@nitecore.cn

※ 本说明书的所有图片、陈述及文字信息仅供参考, 请以官网www.nitecore.cn实际信息为准。广州希脉创新科技有限公司拥有对说明书内容的最终解释权 and 修改权。

更多信息请关注新浪微博:  
 NITECORE奈特科尔



广州希脉创新科技有限公司

咨询热线: +86-20-83862000

销售邮箱: info@nitecore.com

网址: www.nitecore.cn

地址: 广东省广州市天河区高普路1021号5楼6355号

邮编: 510653



MH090825GT18

## Features

- Premium CREE XP-L HI V3 LED
- Maximum output of 1000 lumens
- Max beam distance up to 452 metres
- High efficiency circuit provides runtime up to 36 hours
- Intelligent charging circuit with voltage detection charges safely and rapidly
- USB rechargeable, onboard USB charging port is water, dust and impact resistant
- Multiple output modes are conveniently accessed via rapid rotary switch
- User-defined mode provides customized brightness levels plus strobe and SOS modes
- Intelligent memory function stores preferred brightness setting
- Broad voltage circuit accepts both rechargeable and non-rechargeable Lithium batteries
- Optimized ultra-precise beam reflector offers a longer beam distance than competing products
- Waterproof in accordance with IPX-8 (submersible to two meters)
- Stainless steel bezel ring protects core components from damage
- Toughened ultra-clear mineral glass with anti-reflective coating
- Constructed from aerospace-grade aluminum alloy
- HAIII military grade hard-anodized
- Reverse polarity protection
- Stainless steel titanium-plated clip
- Anti-rolling design

## Dimensions

Length: 160mm (6.3")  
 Head Diameter: 40mm (1.57")  
 Tail Diameter: 25.4mm (1")  
 Weight: 143grams (5oz)(without battery)

## Accessories

Nitecore 18650 Li-ion battery(NL1834 3400mAh), tactical ring, lanyard, USB cable, clip, holster, spare switch cover and spare O-ring

## Battery Options

	TYPE	Nominal voltage	Compatible
18650 Rechargeable Li-ion battery	18650	3.7V	Yes (Compatible and can be recharged)
Primary Lithium battery *	CR123	3V	Yes (Compatible but can NOT be recharged)
Rechargeable Li-ion battery *	RCR123	3.7V	Yes (Compatible but can NOT be recharged)

**Warning:** Charge 18650 rechargeable Li-ion batteries only, do not attempt to charge non-rechargeable batteries, CR123 or RCR123 batteries.

## Brightness & Runtime

FL 1 STANDARD	TURBO	HIGH	MID	LOW	STROBE	SOS
	1000 LUMENS	300 LUMENS	110 LUMENS	50 LUMENS	1000 LUMENS	1000 LUMENS
	1h	4h	10h45min	36h	—	—
	452m	230m	141m	87m	—	—
	51100cd	13300cd	5000cd	1900cd	—	—
	1m (Impact Resistant)					
	IPX8, 2m (Waterproof AND Submersible)					

### NOTICE

Stated data has been measured according to the international flashlight testing standards ANSI/NEMA FL1 using a quality 18650 (3.7V 3400mAh) battery under laboratory conditions. The data may vary due to individual usage habits and environmental conditions.

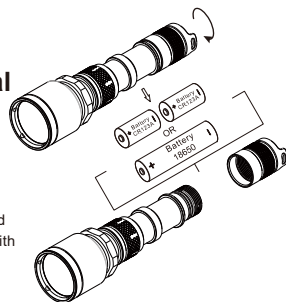
## Operation instructions

### Battery Installation / Removal

As illustrated, after unscrewing the battery cap, insert / remove the battery(s) and screw to tighten the battery cap.

### NOTE:

Ensure batteries are inserted with the positive (+) end pointing to the head. The MH25GT will not operate with incorrectly inserted batteries.



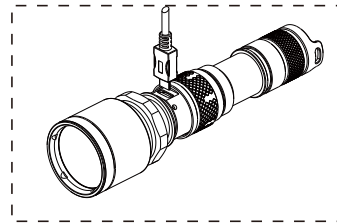
### Charging Function

The MH25GT is capable of charging a protected 18650 Li-ion battery via the included USB cable. Simply install a protected 18650 Li-ion cell, plugging one end of the USB cable into the flashlight and the other end into a universal USB port / adaptor and the MH25GT will take care of the rest.

#### Charging indicator light

1. Connect the charging cable to the flashlight and the A/C power adapter to the wall outlet as shown in the adjacent image. Fully charging a depleted 18650 battery takes approximately 6 hours.
2. Under normal charging conditions, the red indicator light near the charging port will blink twice every second.

3. If a problem is detected during the charging process, the MH25 will stop charging and the red indicator will blink rapidly. This is usually caused by faulty or incorrectly inserted batteries.
4. When charging is complete, the red indicator will illuminate steadily.



### Caution:

The MH25GT needs to be turned on in order to enter charging mode.

## Switching ON/OFF

To switch ON: Press the button on the tailcap until a "click" is heard.

To switch OFF: Press the button on the tailcap a second time until a "click" is heard.

## Mode Switching

The Nitecore MH25GT has two modes: Turbo and user-defined. These two modes can be changed by simply tightening and loosening the flashlight head. Turbo provides 100% output while user-defined contains five selectable sub-modes.

### Turbo Mode

Turbo mode provides an output of 1000 lumens and is accessed when the flashlight is switched ON with the head lightly tightened. While in this mode, momentary illumination can be achieved by switching off the flashlight and then half pressing and holding the switch.

**Note:** After three minutes of use in turbo mode, the flashlight will lower its output automatically to prevent overheating and increase runtime.

### User-Defined Mode

User-defined mode is accessed by slightly loosening the flashlight head. In this mode, lightly and rapidly pressing the switch will cycle through the modes. A given mode can be saved by simply turn off the light while in that mode. Real-world examples include: When used as a flashlight around the home, the head can be loosened and low level selected in user-defined mode, providing long runtimes at a lower light intensity. The same flashlight could then be taken out and used as a law-enforcement duty light, with user-defined mode set in strobe, making it easy to alternate between turbo mode and strobe with a simple twist of the flashlight head.

**Tips: Make NITECORE MH25GT your perfect Multitask Hybrid flashlight.**

NITECORE MH25GT flashlights essentially have two modes: Turbo mode (100% output) and user-defined mode. Turbo mode is accessed by tightening the flashlight head while any of the five customizable modes (strobe, SOS, low, medium and high) are selected by loosening the head and rapidly pressing the on/off switch to cycle through the modes. A given mode can be saved by simply turn off the light while in that mode. Real-world examples include: When used as a flashlight around the home, the head can be loosened and low level selected in user-defined mode, providing long runtimes at a lower light intensity. The same flashlight could then be taken out and used as a law-enforcement duty light, with user-defined mode set in strobe, making it easy to alternate between turbo mode and strobe with a simple twist of the flashlight head.

## Changing / Charging Battery

Batteries should be replaced or recharged when output appears to be dim or the flashlight becomes unresponsive.

## Maintenance

Every 6 months, threads should be wiped with a clean cloth followed by a thin coating of silicon-based lubricant.

## Warranty Details

Our authorized dealers and distributors are responsible for warranty service. Should any problem covered under warranty occurs, customers can contact their dealers or distributors in regards to their warranty claims, as long as the product was purchased from an authorized dealer or distributor. NITECORE's Warranty is provided only for products purchased from an authorized source. This applies to all NITECORE products.

Any DOA / defective product can be exchanged for a replacement through a local distributor/dealer within the 15 days of purchase. After 15 days, all defective / malfunctioning NITECORE® products can be repaired free of charge for a period of 60 months (5 years) from the date of purchase. Beyond 60 months (5 years), a limited warranty applies, covering the cost of labor and maintenance, but not the cost of accessories or replacement parts. The warranty is nullified if the product(s) is/are broken down, reconstructed and/or modified by unauthorized parties, or damaged by batteries leakage.

For the latest information on NITECORE® products and services, please contact a local NITECORE® distributor or send an email to [service@nitecore.com](mailto:service@nitecore.com).

※All images, text and statements specified herein this user manual are for reference purpose only. Should any discrepancy occurs between this manual and information specified on [www.nitecore.com](http://www.nitecore.com). SYSMAX Innovations Co., Ltd. reserves the rights to interpret and amend the content of this document at any time without prior notice.

Please find us on facebook:  
NITECORE Flashlight

SYSMAX Innovations Co., Ltd.

TEL: +86-20-83862000

FAX: +86-20-83882723

E-mail: [info@nitecore.com](mailto:info@nitecore.com)

Web: [www.nitecore.com](http://www.nitecore.com)

Address: Unit 6355, 5/F, No. 1021 Gaopu Road, Tianhe District, Guangzhou, 510653, Guangdong, China



Made in China

MH090825GT22