

NITECORE®

The All-Round Flashlight Expert

MH20GT User Manual

Features

- A lightweight, portable 1x18650 USB rechargeable flashlight
- Utilizes a CREE XP-L HI V3 LED
- High efficiency constant current circuit enables maximum output up to 1000 lumens
- Driven by one 18650 battery for maximum runtime up to 680 hours
- Integrated "Precision Digital Optics Technology" provides extreme reflector performance
- Boasts a peak beam intensity of 33,000 cd and a throw distance of up to 362 meters
- Features advanced temperature regulation (ATR) technology
- Innovative single button 2-stage switch accesses multiple functions and modes
- Integrated power indicator notifies battery voltage (accurate to 0.1V)
- Intelligent charging module with a micro USB port charges Li-ion battery rapidly
- Direct access to ultra-low and turbo output
- Detachable two-way anti-rolling clip
- Toughened ultra-clear mineral glass with anti-reflective coating
- Constructed from aerospace grade aluminum alloy
- HAIII military grade hard-anodized
- Waterproof in accordance with IPX8 (2 meters submersible)
- Impact resistant to 1 meter
- Tail stand capability

Dimensions

Length: 4.37" (111mm)
 Head diameter: 1.25" (31.8mm)
 Tail diameter: 1" (25.4mm)
 Weight: 3.13oz (88.8gram) (without battery)

Accessories

USB cable, quality holster, clip, lanyard, spare USB port cover, spare O-ring

Battery Options

	TYPE	Nominal voltage	Compatible
18650 Rechargeable Li-ion battery	18650	3.7V	Yes (Recommended and can be recharged)
Primary Lithium battery *	CR123	3V	Yes (Compatible but can NOT be recharged)
Rechargeable Li-ion battery *	RCR123	3.7V	Yes (Compatible but can NOT be recharged)

Warning: Charge 18650 rechargeable Li-ion batteries only. Do not charge CR123 or RCR123 batteries.

Output & Runtime

FL1 STANDARD	TURBO	HIGH	MID	LOW	LOWER	STROBE	SOS	LOCATION BEACON
	1000 LUMENS	410 LUMENS	230 LUMENS	50 LUMENS	1 LUMEN	1000 LUMENS	1000 LUMENS	1000 LUMENS
	1h	3h	6h45min	22h	680h	—	—	—
	362m	246m	182m	92m	11m	—	—	—
	33000cd	15200cd	8300cd	2100cd	30cd	—	—	—
	1M (Impact Resistant)							
	IPX8, 2m (Waterproof AND Submersible)							

NOTICE:

The stated data has been measured in accordance with the international flashlight testing standards ANSI/NEMA FL1, using 1 x18650 battery (3.7V, 3400mAh) under laboratory conditions. The data may vary in real-world use due to different battery use or environmental conditions.

Operating Instructions

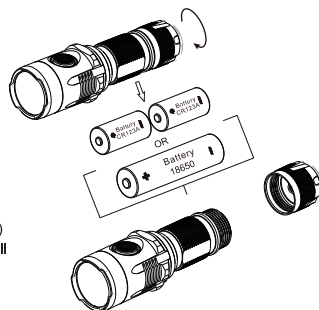
Battery installation

Insert 1x18650 battery or 2xCR123 batteries as illustrated.

NOTE: After loading batteries, the blue power indicator will blink to indicate battery voltage. Please refer to the "Power Tips" section of this manual for details.

WARNING:

Ensure batteries are inserted with the positive (+) ends pointing towards the head. The MH20GT will not be operational with incorrectly inserted batteries.



On / Off Operation

NOTE: The MH20GT utilizes a 2-stage switch. The light's numerous functions are selected according to the depth the switch is pressed.

To switch ON: Press the switch all the way down until a click is heard.

To switch OFF: Press the switch all the way down once again to switch the light off and enter standby mode.

Standby Mode

When in standby mode, press the switch halfway to activate the blue power indicator to flash once every three seconds, thus helping users locate the MH20GT in dark conditions. Press the switch halfway again to turn the power indicator off. When using 1x18650 battery, the MH20GT will operate over 12 months with the power indicator on, or remain standby for over 24 months with the power indicator off.

NOTE: When the MH20GT is left unused for extended periods, Nitecore recommends loosening the head to lock out and cut off power, thus saving battery power and preventing accidental activation.

Brightness Levels

With the MH20GT switched on, press the switch halfway repeatedly to cycle through the following brightness levels: ultra-low, low, medium, high and turbo.

NOTE: The MH20GT has a memory feature. Upon turning-on, it will resume the brightness level last used.

Direct Access to Ultra-low/Turbo

With the light switched off, press and hold the switch halfway for over one second to access ultra-low output (1 lumen).

With the light switched off, press and hold the switch all the way down for over one second to access turbo output (1000 lumens).

Special Modes (Strobe/Location Beacon/SOS)

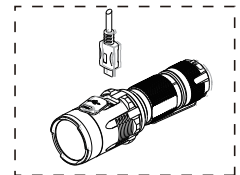
With the light switched on, press and hold the switch all the way down for more than one second to enter strobe mode. When in strobe mode, press the switch halfway repeatedly to cycle through SOS, Location Beacon and Strobe modes. To exit, simply press the switch all the way down to turn the light off. The MH20GT does not have memory effect for any of these special modes.

NOTE: When in location beacon or SOS modes, press and hold the switch halfway for over one second will access strobe mode directly.

Charging Function

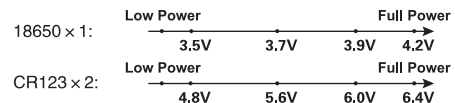
The MH20GT is capable of charging a 18650 Li-ion battery with the included USB charging cable. Connect USB cable to the MH20GT's charging port and a power source (USB chargers, PC or other power terminals) as shown in the adjacent image. Fully charging one depleted 18650 battery takes approximately 6 hours.

1. Under normal charging conditions, the blue power indicator light will blink twice every three seconds to notify users. When charging is complete, the blue power indicator will illuminate steadily.
2. If a problem is detected during the charging process, the MH20GT will stop charging and the blue power indicator will blink rapidly. This is usually caused by faulty or incorrectly inserted batteries.



Power Tips

After battery installation, the blue power indicator will blink to indicate battery voltage (accurate to 0.1V). For example, when battery voltage is at 4.2V, the blue power indicator will blink 4 times, followed by a one second pause and another 2 blinks. Different voltages represent the corresponding remaining battery power levels:



ATR Technology

Advanced temperature regulation (ATR) technology allows the MH20GT to dynamically adjust output performance according to its body temperature. This prevents damage from overheating and prolongs its working life.

Changing / Charging Battery

Batteries should be replaced or recharged when output appears to be dim or the flashlight becomes unresponsive.

Maintenance

Every 6 months, threads should be wiped with a clean cloth followed by a thin coating of silicon-based lubricant.

Warranty Details

Our authorized dealers and distributors are responsible for warranty service. Should any problem covered under warranty occurs, customers can contact their dealers or distributors in regards to their warranty claims, as long as the product was purchased from an authorized dealer or distributor. NITECORE's Warranty is provided only for products purchased from an authorized source. This applies to all NITECORE products.

Any DOA / defective product can be exchanged for a replacement through a local distributor/dealer within the 15 days of purchase. After 15 days, all defective / malfunctioning NITECORE® products can be repaired free of charge for a period of 60 months (5 years) from the date of purchase. Beyond 60 months (5 years), a limited warranty applies, covering the cost of labor and maintenance, but not the cost of accessories or replacement parts.

The warranty is nullified if the product(s) is/are broken down, reconstructed and/or modified by unauthorized parties, or damaged by batteries leakage.

For the latest information on NITECORE® products and services, please contact a local NITECORE® distributor or send an email to service@nitecore.com.

※ All images, text and statements specified herein this user manual are for reference purpose only. Should any discrepancy occurs between this manual and information specified on www.nitecore.com. SYSMAX Innovations Co., Ltd. reserves the rights to interpret and amend the content of this document at any time without prior notice.

Please find us on facebook:
NITECORE Flashlight

SYSMAX Innovations Co., Ltd.

TEL: +86-20-83862000

FAX: +86-20-83882723

E-mail: info@nitecore.com

Web: www.nitecore.com

Address: Rm 2601-06, Central Tower, No.5 Xiancun Road, Tianhe District, Guangzhou, 510623, Guangdong, China



Made in China

Thanks for purchasing NITECORE!