

## Features

- Featuring five individual light sources: two main LEDs plus secondary red, green and blue LEDs.
- Five selectable modes of output (red, green, blue, white and ultraviolet)
- Dual side switches offer convenient control of color modes
- Purpose-designed for hunting, police investigation, forensics and identification applications
- White Cree XP-G2 (R5) LED provides a maximum output of up to 440 lumens
- Ultraviolet LED provides 3000mW at 365nm
- Maximum runtime of up to 400 hours on lowest mode of output
- Integrated "Precision Digital Optics Technology" and Second generation of 'Crystal Coating Technology' provides extreme reflector performance
- Equipped with a unique multi-colored (red, green and blue) signaling mode
- Dual side switches control white and colored LEDs independently
- Side switch features integrated power indicator light for displaying remaining battery power (patented)
- Instant-On functionality: enter turbo mode directly
- Physical reverse polarity protection mechanism (patented)
- Stainless steel titanium-plated clip
- Stainless steel retaining ring protects the core components from damage
- Toughened ultra-clear mineral glass with anti-reflective coating
- Constructed from aero-grade aluminum alloy
- HAIII military grade hard-anodized finish
- Waterproof in accordance with IPX-8 (two meters submersible)
- Impact resistant to 1.5 meters
- Tail stand capability

## Dimensions

Length: 143mm (5.63")  
 Head Diameter: 40mm (1.57")  
 Tail Diameter: 25.4mm (1")  
 Weight: 138grams (4.87oz) (without battery)

## Accessories

Quality holster, clip, tactical ring, lanyard, spare tail cap, spare O-ring

### Optional accessories

Remote switch (RSW1), Gun Mount (GM02, GM03, GM04)

## Battery Options

	SIZE	Nominal voltage	Compatible
Primary Lithium battery	CR123	3V	Y (Recommended)
18650 Rechargeable Li-ion battery	18650	3.7V	Y (Recommended)
Rechargeable Li-ion battery	RCR123	3.7V	Y

## Brightness & Runtime

FL1 STANDARD	White Light TURBO	White Light HIGH	White Light MID	White Light LOW	White Light LOWER	UV	RED	GREEN	BLUE	POLICE WARNING SIGNAL	STROBE	SOS	BEACON
	440 LUMENS	280 LUMENS	160 LUMENS	25 LUMENS	1 LUMEN	—	1.8 LUMENS	3.8 LUMENS	0.7 LUMEN	—	440 LUMENS	440 LUMENS	440 LUMENS
	1h45min	3h30min	7h	43h	400h	4h	65h	73h	82h	90h	—	—	—
	190m	132m	99m	42m	10m	—	—	—	—	—	—	—	—
	9000cd	4360cd	2450cd	460cd	28cd	—	—	—	—	—	—	—	—
	1.5m (Impact Resistant)												
	IPX8, 2m (Waterproof AND Submersible)												

### NOTICE

The above data has been measured in accordance with the international flashlight testing standards ANSI/NEMA FL1 using one x 3.7V 2600mAh 18650 battery under laboratory conditions. The data may vary slightly during real-world use due to battery type, individual usage habits and environmental factors.

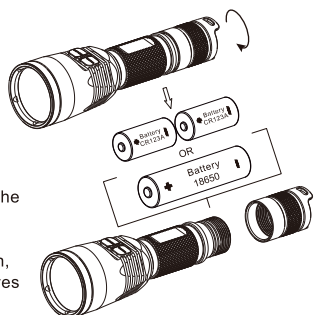
## Operation Instructions

### Battery Installation

Insert one 18650 battery or two CR123 / RCR123 batteries with the positive pole pointing forward (toward the light head).

### WARNING

1. Ensure batteries are inserted with the positive (+) end pointing to the head. The Chameleon will not operate with incorrectly inserted batteries.
2. Ensure when turning the Chameleon on, the beam is directed a way from the eyes of people or animals.



## Momentary Illumination

Momentary illumination can be achieved by switching off the flashlight and then half pressing and holding the tail switch. Simply release the switch to turn the light off.

## Switching ON/OFF

To switch ON: Press the button on the tailcap until a "click" is heard.  
 To switch OFF: Press the button on the tailcap a second time until a "click" is heard.

## Brightness Selection

**Tips:** Two side switches control the two main LEDs as well as strobe / beacon / SOS modes.

With the light turned on at the tailcap, press the left (white) switch repeatedly to cycle through the following WHITE LED brightness levels: ultra-low, low, medium, high and turbo. Once a desired setting is displayed, it will be saved by turning the light off at the tail switch.

With the light turned on at the tailcap, press the right (color) switch repeatedly to cycle through the following COLORED LED brightness levels: Ultraviolet Mode -> secondary red -> secondary green -> secondary blue. Once a desired setting is displayed, it will be saved by turning the light off at the tail switch.

## Instant Turbo / Instant Ultraviolet Mode

With the light turned off, press and hold a side switch and then press the tail switch to go directly to Turbo Mode or Ultraviolet Mode (left switch for turbo white and right switch for ultraviolet). This function is designed to provide instant access to either the highest output of white light or ultraviolet mode.

**NOTE:** When using two CR123A batteries in turbo mode, output will automatically reduce after 20 minutes of use to prevent overheating.

**Warning:** Avoid exposing the eyes or skin of people or animals to ultraviolet light.

## Special Modes

With the light turned on, press and hold the left (white) switch to activate Strobe mode. Press and hold in succession to cycle: Location Beacon, SOS, Strobe mode.

With the light turned on, press and hold the right switch (colored) all the way down for more than 1 second to activate police warning signal. Press the switch again to turn this mode off.

**NOTE:** Among all special modes, only strobe mode can be saved.

## Power Tips

1. With the light switched on, the blue power indicator will blink once every two seconds when power levels reach 50%.
2. With the light switched on, the blue power indicator will blink rapidly when power levels are low.

## Changing Batteries

When the power indicator blinks rapidly this indicates the batteries need to be replaced. Alternatively if the light becomes dim or unresponsive to adjustment this also indicates batteries need to be replaced.

## Maintenance

Every 6 months, threads should be wiped with a clean cloth followed by a thin coating of silicon-based lubricant.

## Warranty Service

All NITECORE® products are warranted for quality. DOA / defective products can be exchanged for replacement through a local distributor/dealer within the 14 days of purchase. After 14 days, all defective / malfunctioning NITECORE® products will be repaired free of charge for a period of 18 months from the date of purchase. After 18 months, a limited warranty applies, covering the cost of labor and maintenance, but not the cost of accessories or replacement parts. The warranty is nullified in all of the following situations:

1. The product(s) is/are broken down, reconstructed and/or modified by unauthorized parties.
2. The product(s) is/are damaged through improper use.
3. The product(s) is/are damaged by leakage of batteries.

For the latest information on NITECORE® products and services, please contact your national NITECORE® distributor or send an email to service@nitecore.com

The Nitecore official website shall prevail in case of any product data changes.

**SYSMAX Inc.**  
 SYSMAX Industry Co., Ltd.  
 TEL: +86-20-83862000  
 FAX: +86-20-83882723  
 E-mail: info@nitecore.com  
 Web: www.nitecore.com  
 Address: Rm 2601-06, Central Tower, No.5 Xiancun Road, Tianhe District, Guangzhou, 510623, Guangdong, China

Please follow our facebook for more info: NITECORE Flashlight

